

#### Overview



SIFLOW FC070 is based on the latest developments within the digital processing technology – engineered for high performance, fast flow step response, immunity against process generated noise, easy to install, commission and maintain.

SIFLOW FC070 is available in two versions:

- SIFLOW FC070 Standard
- SIFLOW FC070 Ex CT

The SIFLOW FC070 transmitter delivers true multi-parameter measurements i.e. mass flow, volume flow, density, temperature and fraction.

SIFLOW FC070 is designed for integration in a variety of automation systems, i.e.:

- Central mounted in S7-300, C7
- Decentralized in ET 200M for use with S7-300 and S7-400 as PROFIBUS DP/PROFINET masters
- Decentralized in ET 200M for use with any automation system using standardized PROFIBUS DP/PROFINET masters
- Stand-alone via a Modbus RTU master, i.e. SIMATIC PDM

The SIFLOW FC070 transmitter can be connected to all sensors of types MASS 2100, FCS200 and FC300.

#### Benefits

- Easy integration in SIMATIC S7 and PCS 7
- Support of SIMATIC PDM configuration tool via Modbus
- Dedicated mass flow chip with high-performance ASIC technology
- True 30 Hz update rate securing fast batching and step response
- Superior noise immunity due to a DFT (Discrete Fourier Transformation) algorithm
- Front end resolution better than 0.35 ns improves zero point stability and enhances dynamic turn-down ratio on flow and density accuracy.
- Advanced diagnostics enhancing troubleshooting and meter verification
- Built-in batch controller with two-stage control and compensation
- Digital outputs for direct batch control, frequency/pulse
- Modbus RTU RS 232/RS 485 interface for connection to SIMATIC PDM or any other Modbus master

- Digital input for batch control, zero adjust
- Extensive simulation options for measurement values, I/O and errors easy communication/fault-finding
- Multiple LED's for easy indication of flow, error and I/O state
- SENSORPROM technology automatically configures the transmitter during start-up providing:
  - Factory pre-programming with calibration data, pipe size, sensor type and I/O settings
  - Any values or settings changed by the user is stored automatically
  - Automatically re-programming of a new transmitter, without loss of settings and accuracy
  - Transmitter replacement in less than 30 seconds
- Four-wire Pt1000 measurement ensuring optimum accuracy mass flow, density and fraction flow
- Fraction flow computation based on a 3rd-order algorithm matching all applications
- SIFLOW FC070 Ex CT can be used for custody transfer approved application. (Compressed gaseous fuel measuring systems for vehicles), when using the redundant digital output or the encrypted ActiveX component for SIMATIC touch panels. The approval will have to be done locally at the customer.
- Free of charge ActiveX component for SIMATIC touch panels, enables encrypted sensor process values to be communicated between SIFLOW FC070 Ex CT and SIMATIC touch panels

#### Application

SIFLOW FC070 mass flowmeters are suitable for all applications within the entire process industry, where there is a demand for accurate flow measurement. The meters are suitable for measuring on liquid and gas.

The main applications for the SIFLOW FC070 transmitter can be found in the following industries:

- Food and beverage
- Pharmaceutical
- Automotive
- Oil and gas
- Power generation and utility
- Water and waste water

#### Design

SIFLOW FC070 is designed in an IP20 SIMATIC S7-300 enclosure and for use in central and de-central cabinets where sensors: FCS200, FC300 and MASS 2100 are remotely mounted.

#### Function

The following key functionalities are available:

- Mass flow rate, volume flow rate, density, temperature and fraction flow
- Two built-in totalizers which can freely be set for counting mass, volume or fraction
- 1 frequency/pulse output
- 1 phase shifted 90°/180° frequency/pulse output
- Two-stage batch controller
- 1 digital input
- Low flow cut-off
- Empty pipe detection
- Noise filter settings for different applications
- Simulation
- Automatic zero point adjustment with zero point evaluation feed back
- Configurable upper and lower alarm and warning limits for all process values
- Comprehensive status and error reporting

# Flow Measurement

## SITRANS F C

### Transmitter SIFLOW FC070

#### Technical specifications

<b>Measurement of</b>	Mass flow, volume flow, density, sensor temperature, fraction A flow, fraction B flow, fraction A in %	<b>Power</b>	
<b>Measurement functions</b>		Supply	24 V DC nominal
• Totalizer 1	Totalization of mass flow, volume-flow, fraction A, fraction B	Tolerance	20.4 V DC ... 28.8 V DC
• Totalizer 2	Totalization of mass flow, volume-flow, fraction A, fraction B	Consumption	Max. 7.2 W
• Single and 2-stage batch function	Batching function with the use of one or two outputs for dosing in high and low speed	Fuse	T1 A/125 V, not replaceable by operator
• 4 programmable limits	4 programmable high/low limits for mass flow, volume flow, density, sensor temperature, fraction A flow, fraction B flow, fraction A in %. Limits will generate an alarm if reached.	<b>Environment</b>	
<b>Digital input</b>		Ambient temperature	• Storage -40 ... +70 °C (-40 ... +158 °F)
Functions	Start batch, stop batch, start/stop batch, hold/continue batch, reset totalizer 1, reset totalizer 2, reset totalizer 1 and 2, zero adjust, force frequency output, freeze frequency output	Operation conditions	Horizontally mounted rail. For SIFLOW FC070 Std.: 0 ... 60 °C (32 ... 140 °F) For SIFLOW FC070 Ex CT: -40 ... +60 °C (-40 ... +140 °F) Vertically mounted rail For SIFLOW FC070 Std.: 0 ... 45 °C (32 ... 113 °F) For SIFLOW FC070 Ex CT: -40 ... +45 °C (-40 ... +113 °F)
High signal	<ul style="list-style-type: none"> <li>Nominal voltage: 24 V DC</li> <li>Lower limit: 15 V DC</li> <li>Upper limit: 30 V DC</li> <li>Current: 2 ... 15 mA</li> </ul>	Altitude	• Operation: -1000 ... 2000 m (pressure 795 ... 1080 hPa)
Low signal	<ul style="list-style-type: none"> <li>Nominal voltage: 0 V DC</li> <li>Lower limit: -3 V DC</li> <li>Upper limit: 5 V DC</li> <li>Current: -15 ... +15 mA</li> </ul>	<b>Enclosure</b>	
Input	Approx. 10 kΩ	Material	Noryl, color: anthracite
Switching	Max. 100 Hz.	Rating	IP20/NEMA 2 according to IEC 60529
<b>Digital output 1 and 2</b>		Mechanical load	According to SIMATIC standards (S7-300 devices)
Functions	<ul style="list-style-type: none"> <li>Output 1: Pulse, frequency, redundancy pulse, redundancy frequency 2-stage batch, batch</li> <li>Output 2: Redundancy pulse, redundancy frequency, 2-stage batch</li> </ul>	<b>Ex approvals</b>	
Voltage supply	3 ... 30 V DC (passive output)	SIFLOW FC070 Standard	ATEX: II 3G Ex nA II T4
Switching current	Max. 30 mA at 30 V DC	SIFLOW FC070 Ex CT	<ul style="list-style-type: none"> <li>ATEX, IECEx, EAC Ex, FM, CSA, INMETRO</li> <li>- Zone 2: Ex nA [ia] IIC T4</li> <li>• FM</li> <li>- Class I, Div. 2: Grp. A, B, C, D (interface to Class I+II+III, Div. 1)</li> </ul>
Voltage drop	≤ 3 V DC at max. current	<b>Custody transfer approvals</b>	
Leakage current	≤ 0.4 mA at max. voltage 30 V DC	SIFLOW FC070 Ex CT	Compressed gaseous fuel measuring systems for vehicles NTEP for USA and Canada, approval no: 97-111A3
Load resistance	1 ... 10 kΩ	<b>EMC performance</b>	
Switching frequency	0 ... 12 kHz 50 % duty cycle	Emission	EN 55011/CISPR-11
Functions	Pulse, frequency, redundancy pulse, redundancy frequency 2-stage batch, batch	Immunity	EN/IEC 61326-1
<b>Communication</b>		<b>Certification</b>	
Modbus RS 232C	<ul style="list-style-type: none"> <li>Max. baud rate: 115 200 baud</li> <li>Max. line length: 15 m at 115 200 baud</li> <li>Signal level: according to EIA-RS 232C</li> </ul>	CE mark	Low voltage directive RoHS
Modbus RS 485	<ul style="list-style-type: none"> <li>Max. baud rate: 115 200 baud</li> <li>Max. line length: 1200 m at 115 200 baud</li> <li>Signal level: according to EIA-RS 485</li> <li>Bus termination: Integrated. Can be enabled by inserting wire jumpers.</li> </ul>	<b>NAMUR</b>	Within the limits according to "General recommendations" with error criteria A in accordance with NE 21
<b>Galvanic isolation</b>	All inputs, outputs and communication interfaces are galvanically isolated. Isolation voltage: 500 V	<b>Programming tools</b>	
		SIMATIC S7	Configuration through backplane P-BUS, PLC program and WinCC flexible
		SIMATIC PCS7	Configuration through backplane P-BUS and PLC/WinCC faceplates, certified driver
		SIMATIC PDM	Through Modbus port RS 232C and RS 485, certified driver

## Selection and Ordering data





Description	Article No.
<b>SIFLOW FC070 flow transmitter</b> Remember to order 40 pin front plug connector.	<b>7ME4120-2DH20-0EA0</b>
<b>40 pin front connector</b> with screw contacts	<b>6ES7392-1AM00-0AA0</b>
<b>40 pin connector</b> with spring contacts	<b>6ES7392-1BM01-0AA0</b>
<b>SIFLOW FC070 Ex CT flow transmitter</b> Remember to order 20 pin front plug connector.	<b>7ME4120-2DH21-0EA0</b>
<b>20 pin plug</b> with spring contacts	<b>6ES7392-1BJ00-0AA0</b>
<b>20 pin front connector</b> with screw contacts	<b>6ES7392-1AJ00-0AA0</b>

## Operating instructions for SITRANS F C SIFLOW FC070

Description	Article No.
<b>SIFLOW FC070 system manual</b>	
• English	<b>A5E00924779</b>
• German	<b>A5E00924776</b>
<b>SIFLOW FC070 with S7</b>	
• English	<b>A5E02254228</b>
• German	<b>A5E02665536</b>
<b>SIFLOW FC070 with PCS7</b>	
• English	<b>A5E03694109</b>

All literature is available to download for free, in a range of languages, at [www.siemens.com/processinstrumentation/documentation](http://www.siemens.com/processinstrumentation/documentation)

## Accessories

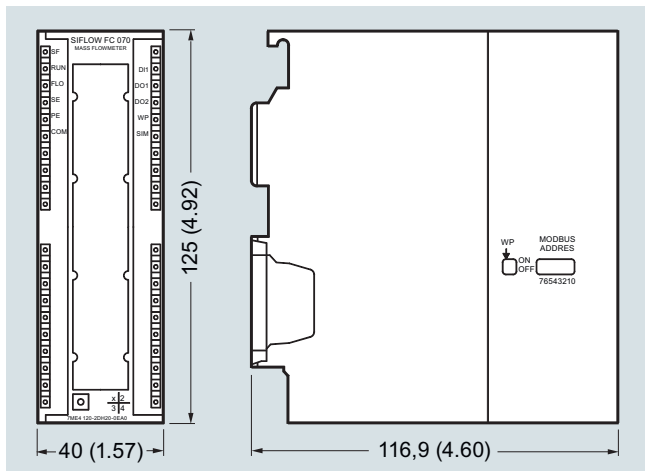
Description	Article No.	
<b>Cable with multiplug</b> for connecting MASS 2100, FCS200 and FC300 sensors, 5 x 2 x 0.34 mm <sup>2</sup> twisted and screened in pairs. Temperature range -20 ... +110°C (-4 ... +230 °F)		
• 5 m (16.4 ft)	<b>FDK:083H3015</b>	
• 10 m (32.8 ft)	<b>FDK:083H3016</b>	
• 25 m (82 ft)	<b>FDK:083H3017</b>	
• 50 m (164 ft)	<b>FDK:083H3018</b>	
• 75 m (246 ft)	<b>FDK:083H3054</b>	
• 150 m (492 ft)	<b>FDK:083H3055</b>	
<b>Cable without multiplug</b> for connecting MC2 sensors, 5 x 2 x 0.34 mm <sup>2</sup> twisted and screened in pairs. Temperature range -20 ... +110°C (-4 ... +230 °F)		
• 10 m (32.8 ft)	<b>FDK:083H3001</b>	
• 25 m (82 ft)	<b>FDK:083H3002</b>	
• 75 m (246 ft)	<b>FDK:083H3003</b>	
• 150 m (492 ft)	<b>FDK:083H3004</b>	
<b>SIMATIC S7-300 rail</b> The mechanical mounting rack of the SIMATIC S7-300		
• 160 mm (6.3")	<b>6ES7390-1AB60-0AA0</b>	
• 482 mm (18.9")	<b>6ES7390-1AE80-0AA0</b>	
• 530 mm (20.8")	<b>6ES7390-1AF30-0AA0</b>	
• 830 mm (32.7")	<b>6ES7390-1AJ30-0AA0</b>	
• 2000 mm (78.7")	<b>6ES7390-1BC00-0AA0</b>	
<b>SIMATIC S7-300, stabilized power supply PS307</b> Input: 120/230 V AC Output: 24 V DC/2 A	<b>6ES7307-1BA01-0AA0</b>	

# Flow Measurement

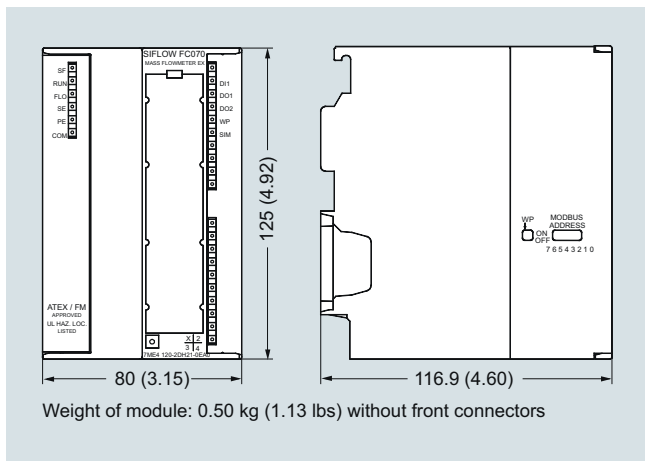
## SITRANS F C

### Transmitter SIFLOW FC070

#### Dimensional drawings

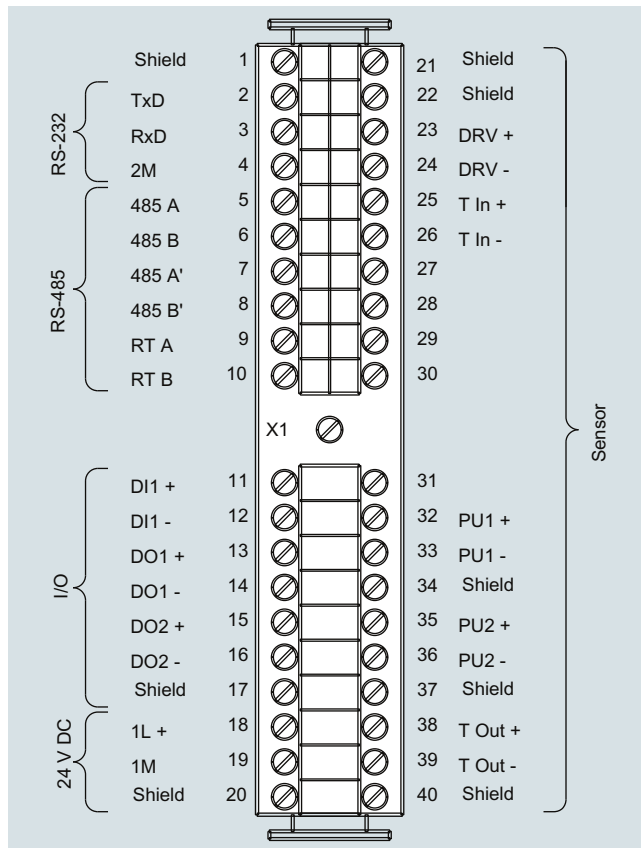


SIFLOW FC070, dimensions in mm (inch)

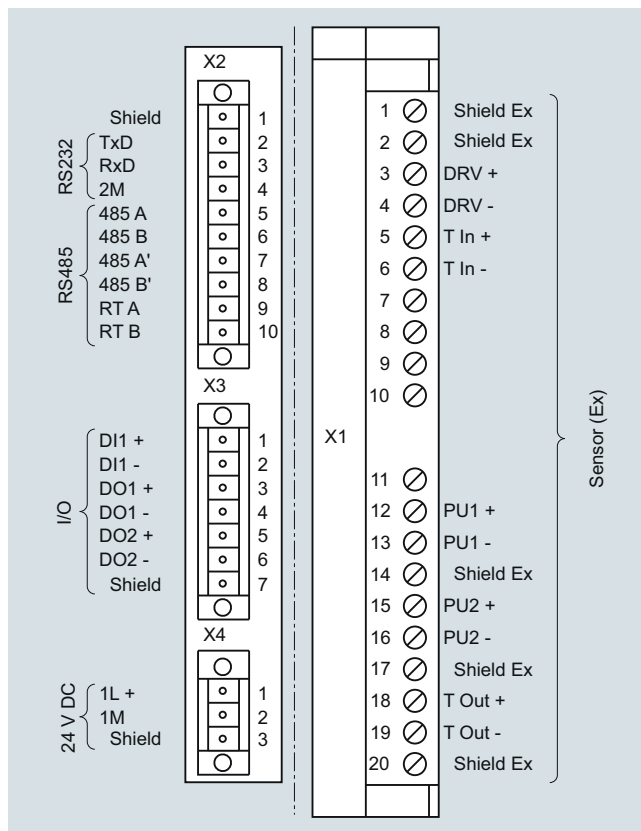


SIFLOW FC070 Ex CT, dimensions in mm (inch)

#### Schematics



SIFLOW FC070, electrical connection



SIFLOW FC070 Ex CT, electrical connection